

## RPLC

### RPLC SERIES SINGLE CELL ROUND PLATFORMS



Small capacity electronic round platforms made in anodized blue aluminium. Precise and sturdy structure, suitable for scales and automatic weight checking systems in all industrial and commercial applications. Standard version is with approved load cell.

Working in cooperation with:

**VAHY PRO S.R.O.**

FUGNEROVA 345 - 40004 - TRMICE

Tel. 0042-0475620800 Fax. 0042-0475620800

vahypro@vahypro.cz

The best solution  
for advanced industrial  
applications

## MAIN FEATURES

- Functions with an approved aluminium “single point” load cell according to OIML R60 standards with protection against dust and water splashes according to IP65 standards (350 Ohm input resistance).
- Anodized blue aluminium structure with adjustable resting feet and level.
- Stainless steel plate.
- 15 Vdc power supply.
- Shielded 1,5 m connection cable with connectors for connection to the indicator.

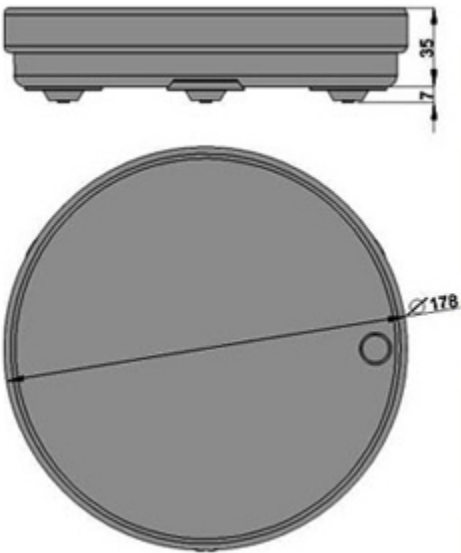
## OPTIONS ONLY AVAILABLE AT TIME OF ORDER

- Connection to the indicator and calibration with CE-M 3000e approval.
- High resolution models for internal factory use.

## OPTIONS FOR ATEX VERSION

- CCATEX: ATEX certificate for each load cell.
- DCATEXMECH: Declaration of conformity of the whole system composed of PLATFORM + JUNCTION BOX + LOAD CELLS (only if the platform is ordered without the weight indicator; otherwise, refer to the certifications available for the indicator to which it will be connected).

## DETAIL 1



## VERSIONS

### Available versions

Code	Ø x h (mm)	Max (kg)	d (g)	CE-M* 3000e (g)	d* HR (g)	CE-M* 2x3000e (g)
RPLC1	178x45	1,5	0,2	0,5	0,05	0,2 / 0,5
RPLC3	178x45	3	0,5	1	0,1	0,5 / 1
RPLC6	178x45	6	1	2	0,2	1 / 2
RPLC15	178x45	15	2	5	0,5	2 / 5

(\* ) These divisions are obtainable only with the relative options



www.diniargeo.com



“YOUR WORLDWIDE PARTNER FOR WEIGHING,”

**DINI ARGEO**  
**FRANCE sarl**  
Nogent-sur-Marne

**DINI ARGEO**  
**GMBH**  
Sinsheim - Germany

**DINI ARGEO**  
**UK Ltd**  
Taunton - United Kingdom

**DINI ARGEO WEIGHING**  
**INSTRUMENTS Ltd**  
Shanghai - China

**DINI ARGEO**  
**WEIGHBRIDGES**  
Calto (RO) – Italy



**HEAD OFFICE**  
Via Della Fisica, 20  
41042 Spezzano di Fiorano Modena - Italy



**VAHY PRO S.R.O.**

FUGNEROVA 345 - 40004 - TRMICE

Tel. 0042-0475620800 Fax. 0042-0475620800

vahypro@vahypro.cz

SALES AND TECHNICAL ASSISTANCE SERVICE